

SS-CN290/CR290/SR290

SERVICE MANUAL

*US Model
Canadian Model
AEP Model
UK Model
E Model*

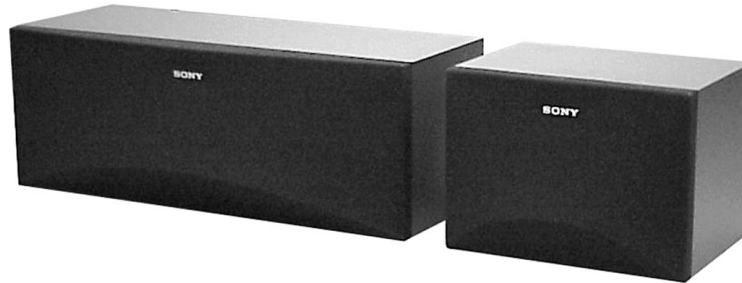


Photo: SS-CN290

Photo: SS-SR290

SS-CR290 is composed for following model.

COMPONENT MODEL NAME FOR SS-CR290

Center Speaker	SS-CN290
Rear Speaker	SS-SR290

SPECIFICATIONS

[SS-CN290] (Center speaker)

Speaker system	2-way, magnetically shielded
Speaker units	Woofer: 12 cm, cone type × 2 Tweeter: 2.5 cm, balance drive type
Enclosure type	Bass reflex
Rated impedance	8 Ω
Power handling capacity	Maximum input power: 120 W
Sensitivity level	89 dB (1W, 1m)
Frequency range	85 Hz – 20,000 Hz
Dimensions (w/h/d) including front grille	Approx. 380 × 150 × 168 mm, not
Mass	Approx. 3.5 kg
Supplied accessories	Speaker cord 2.5m (1) Foot (4)

[SS-SR290] (Rear speaker)

Speaker system	Full range, magnetically shielded
Speaker units	12 cm, cone type
Enclosure type	Bass reflex
Rated impedance	8 Ω
Power handling capacity	Maximum input power: 100 W
Sensitivity level	86 dB (1W, 1m)
Frequency range	85 Hz – 20,000 Hz
Dimensions (w/h/d) including front grille	Approx. 190 × 150 × 168 mm, not
Mass	Approx. 1.5 kg
Supplied accessory	Speaker cord 10m (2)

Design and specifications are subject to change without notice.

SPEAKER SYSTEM



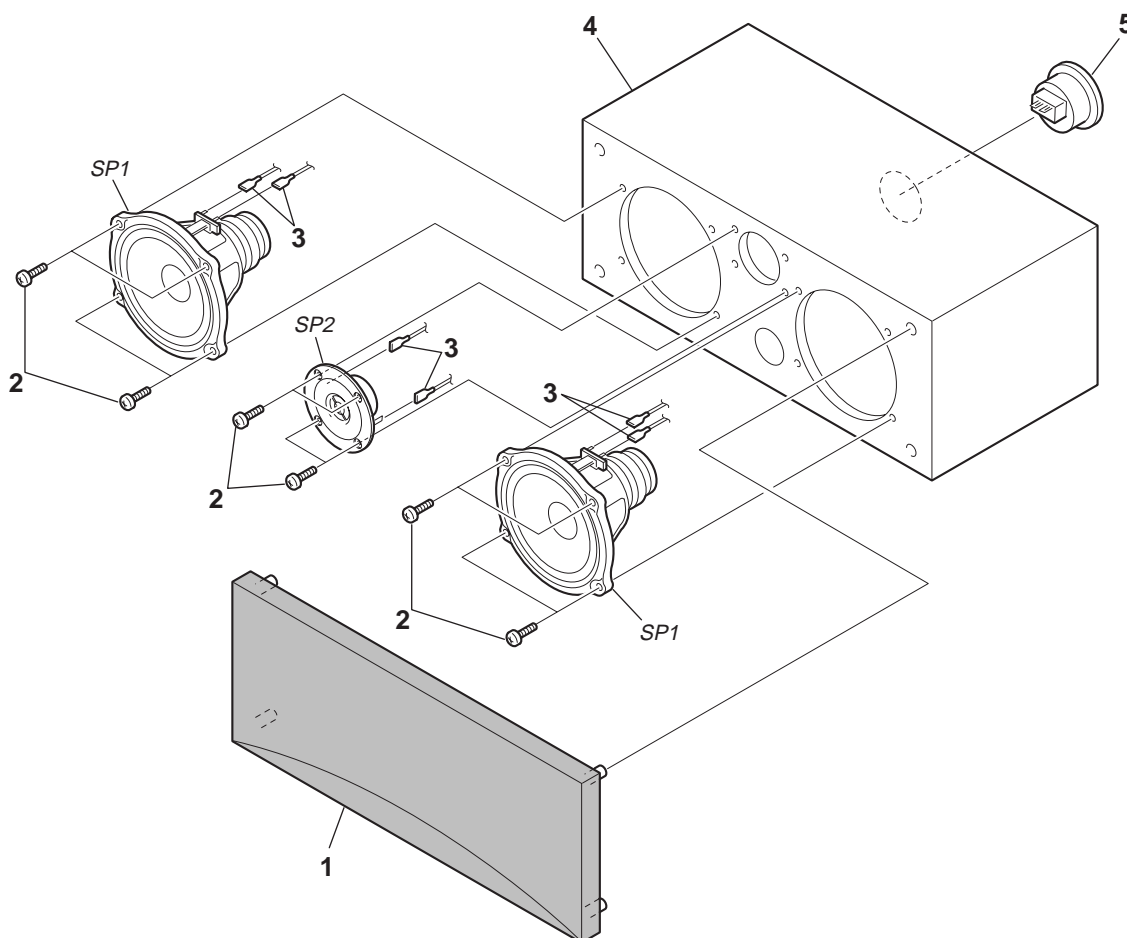
SONY®

EXPLODED VIEW AND PARTS LIST

NOTE:

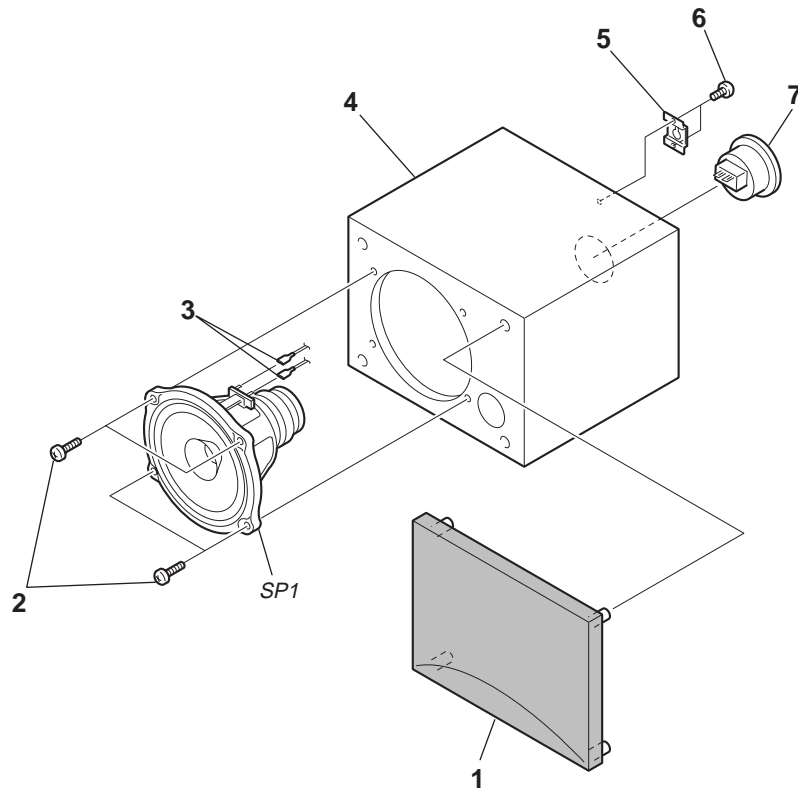
- Items marked “*” are not stocked since they are seldom required for routine service. Some delay should be anticipated when ordering these items.
- The mechanical parts with no reference number in the exploded views are not supplied.

(1) SS-CN290



Ref. No.	Part No.	Description	Remarks	Ref. No.	Part No.	Description	Remarks
1	X-4950-945-1	FRAME ASSY (CN), GRILLE		5	1-537-332-11	TERMINAL BOARD	
2	4-874-614-11	SCREW (4) (3.5 × 14), TAPPING		SP1	1-529-249-11	SPEAKER (12CM)	
3	1-775-758-11	LEAD (WITH CONNECTOR)		SP2	1-529-251-11	SPEAKER (2.5CM)	
4	A-4411-430-A	CABINET ASSY, SPEAKER					

(2) SS-SR290



Ref. No.	Part No.	Description	Remarks	Ref. No.	Part No.	Description	Remarks
1	X-4950-944-1	FRAME ASSY (SR), GRILLE		* 5	4-983-074-01	BRACKET, HOOK	
2	4-874-614-11	SCREW (4) (3.5 × 14), TAPPING		6	7-621-849-10	SCREW, WOOD +R3.1 × 13	
3	1-775-758-11	LEAD (WITH CONNECTOR)		7	1-537-332-11	TERMINAL BOARD	
4	A-4411-428-A	CABINET ASSY, SPEAKER		SP1	1-529-250-11	SPEAKER (12CM)	

SS-CN290/CR290/SR290

(3) SS-CR290

<u>Ref. No.</u>	<u>Part No.</u>	<u>Description</u>	<u>Remarks</u>
		ACCESSORIES & PACKING MATERIALS	

	1-769-433-11	CORD, SPEAKER (10m)	
	1-769-433-21	CORD, SPEAKER (2.5m)	
	3-866-212-11	MANUAL, INSTRUCTION	
		(ENGLISH,FRENCH,SPANISH,PORTUGUESE,CHINESE)	
	4-972-322-01	FOOT (Y) (SS-CN290)	